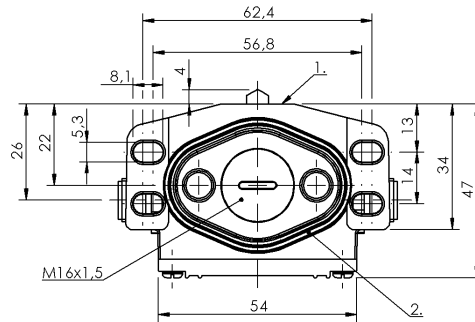
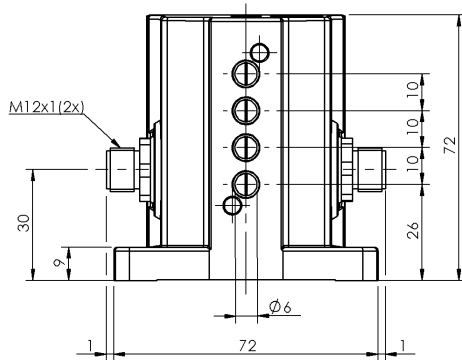


Mechanical Cam Switches
BNS 819-B04-D10-46-11-S80S
 Order Code: BNS01W4

BALLUFF



1) Reference edge, 2) Sealing ring



Basic features

Approval/Conformity	CE UKCA CCC WEEE
Basic standard	IEC 60947-5-1
Operating principle	1-4. Switch position: Mechanical
Version	Snap contact

Display/Operation

Function indicator	1-4. Switch position: None
--------------------	----------------------------

Electrical connection

Connection	M12x1-Flange male, 5-pin
Connection type	1. Switch position: Connector

Electrical data

Continuous current	1-4. Switch position: 4 A
Rated operating voltage Ue	1-4. Switch position: 250 V AC
Switching function mechanical	Single-pin changeover
Switching rate	1-4. Switch position: 200/min

Environmental conditions

Ambient temperature	-5...85 °C
IP rating	IP67

Functional safety

B10d (EN ISO 13849-1)	BSE 70.1: 10 mil. switching cycles
-----------------------	------------------------------------

Material

Housing material	Aluminium, Anodized
Housing material, surface protection	Anodized
Material contacts	1-4. Switch position: Silver
Plunger material	1-4. Switch position: 1.4034 stainless steel

Mechanical data

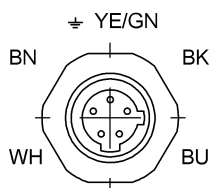
Approach direction	longitudinal, parallel to attachment surface
Approach speed	1-4. Switch position: 20 m/min
Dimension	72 x 72 x 47 mm
Distance cam - reference edge	1-4. Switch position: 2.30...2.80 mm
Flange, feed-through	1 threaded exit M16
Installation	Vertical
Life expectancy mechanical	1-4. Switch position: 10 mil. switching operations
Number of switching positions	4x Chisel Mechanical
Plunger spacing 1st switch position	26 mm
Plunger style	1-4th switch position: Chisel
Switch actuation force	1-4. Switch position: 8 N
Switching element	1-4. Switch position: BSE 70.1

Range/Distance

Reproducibility
 Switch position spacing

1-4. Switch position: ± 0.02 mm
 10 mm

Connector Drawings



View of connector side

Wiring Diagrams

